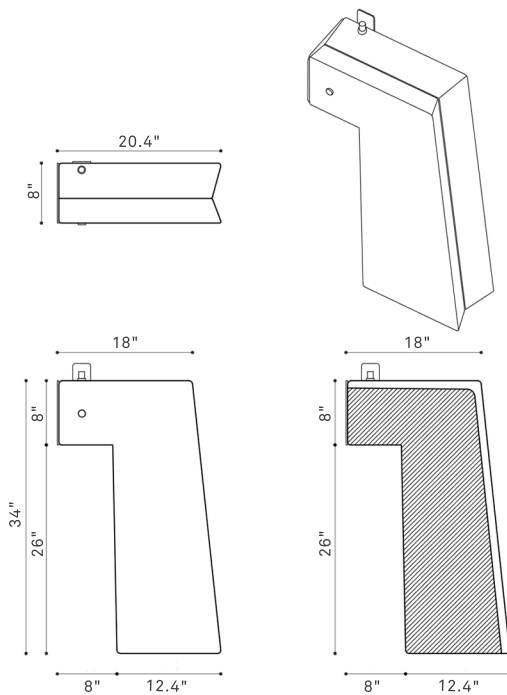


WATERFRONT

EUBBWATYGRIF



WEIGHT 275 lbs

DIMENSIONS 18" x 8" x 34"

FINISHES SMOOTH, ACID WASH & LIGHT KEYSTONE TEXTURE.

COLORS

WATERFRONT

The Waterfront Water Fountain belongs to Durban's new design language. It is a minimalist aesthetic design with finely finished details that doesn't compromise on durability to the elements and vandalism. Its stainless-steel details enrichen any public or private space. The removal of physical access barriers makes it possible for the fountain to be enjoyed equally by every member of society.

*The dimensions of the products shown on the webpage serve as an illustrative character and do not represent a contractual obligation of any kind. For more information, please do not hesitate to contact us. Copyright © 2020 Durban Precast. All rights reserved



www.durbanprecast.com