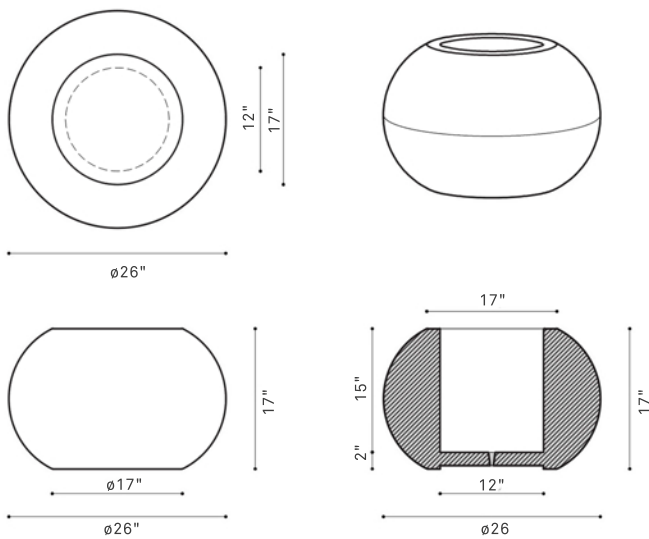


# PANDA

EUMACHAR



**WEIGHT** 403 lbs

**DIMENSIONS**  $\phi 26 \times 17$ "

**FINISHES** SMOOTH, ACID WASH & LIGHT KEYSTONE TEXTURE.

**COLORS**

## PANDA

The Panda planters in concrete impresses with its ovaled shape and soft curved lines. The finishing of the design provides elegance to any given space, either public or private.

\*The dimensions of the products shown on the webpage serve as an illustrative character and do not represent a contractual obligation of any kind. For more information, please do not hesitate to contact us. Copyright © 2020 Durban Precast. All rights reserved



[www.durbanprecast.com](http://www.durbanprecast.com)