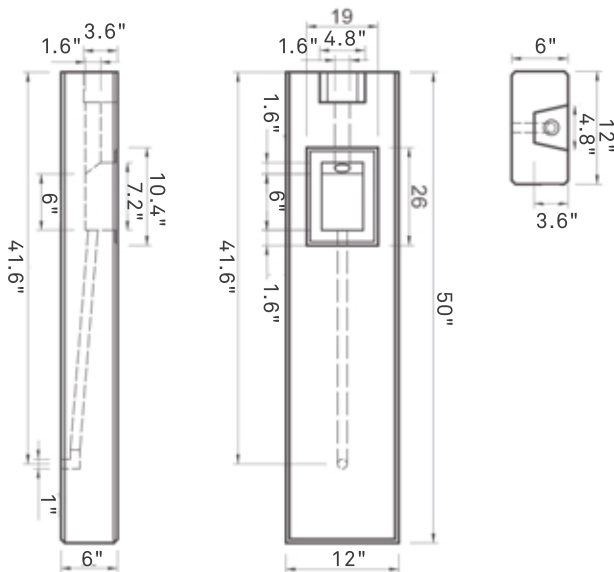
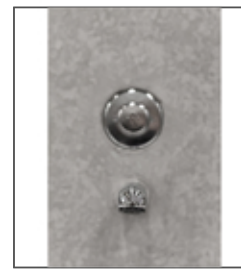


# MONOLITH

EUBBRECTYGRIF



**WEIGHT** 286 lbs

**DIMENSIONS** 12" x 6" x 50"

**FINISHES** SMOOTH, ACID WASH & LIGHT KEYSTONE TEXTURE.

**COLORS**

## MONOLITH

The Monolith Water Fountain is a minimalist concrete stand that provides access to clean drinking water, prioritizing functionality and the simplicity of the design.

\*The dimensions of the products shown on the webpage serve as an illustrative character and do not represent a contractual obligation of any kind. For more information, please do not hesitate to contact us. Copyright © 2020 Durban Precast. All rights reserved



[www.durbanprecast.com](http://www.durbanprecast.com)