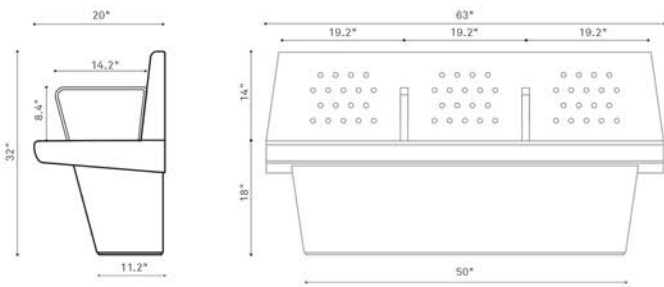
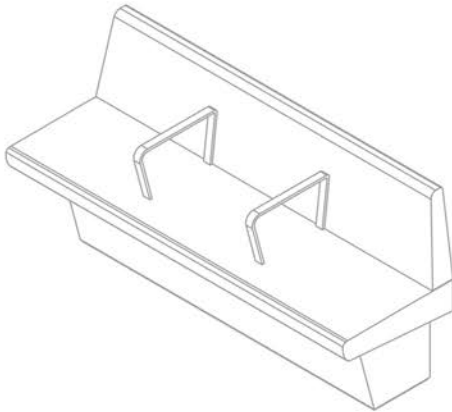
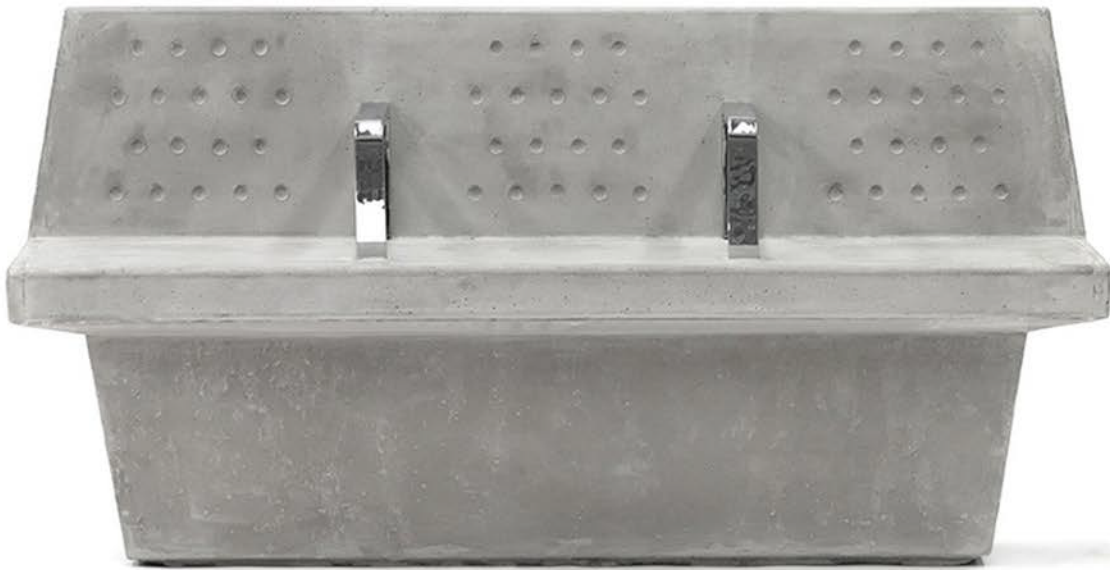


DOTS



WEIGHT	1340 lbs
DIMENSIONS	63" x 20" x 32"
FINISHES	SMOOTH, ACID WASH & LIGHT KEYSTONE TEXTURE.
COLORS	

DOTS

Dots bench was crafted for intensive use in high transit locations. The design combines durability in its materials, elegance and finishing details, thus adaptable to very diverse urban settings.

*The dimensions of the products shown on the webpage serve as an illustrative character and do not represent a contractual obligation of any kind. For more information, please do not hesitate to contact us. Copyright © 2020 Durban Precast. All rights reserved

