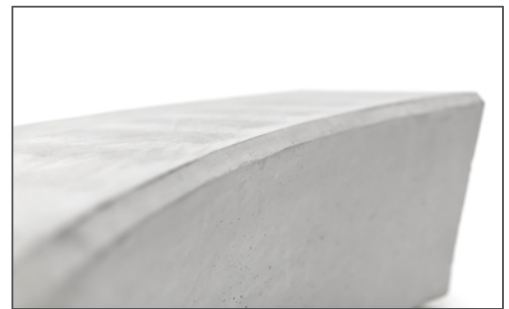
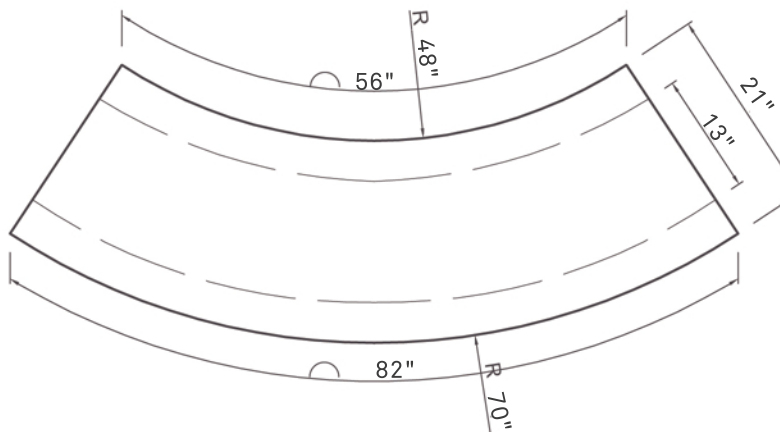
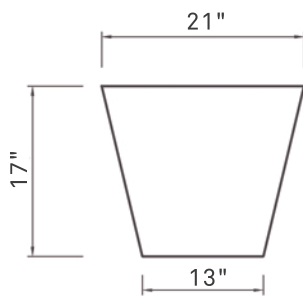


# CURVED MAY

BANTRAC



<b>WEIGHT</b>	1419 lbs
<b>DIMENSIONS</b>	64" x 21" x 17"
<b>FINISHES</b>	SMOOTH, ACID WASH & LIGHT KEYSTONE TEXTURE.
<b>COLORS</b>	

## CURVED MAY

The Curved May bench is a robust and compact trapezoidal concrete structure. Its heaviness removes the need of anchorage, thus easily placeable and immediately integrable to any space. Albeit its husky appearance it remains an elegant and modern design. The design language makes the piece combinable with a wide range of styles. The combination with the Straight May allows for playful set ups that bring people together.

\*The dimensions of the products shown on the webpage serve as an illustrative character and do not represent a contractual obligation of any kind. For more information, please do not hesitate to contact us. Copyright © 2020 Durban Precast. All rights reserved

